

JS01 系列电控手柄**JS01 Series of Joystick****➤ 产品介绍Product Description**

JS01系列电控手柄专为各类非道路&移动设备应用而设计。

The JS01 series of joystick is specially designed for a variety of off-road & fleet equipments applications.

非接触式霍尔原理传感器的应用,使产品具有超长的使用寿命;按键开关和FNR开关采用国际品牌产品,防护等级在IP65以上,使用寿命为500万次以上;

With Hall-effect, non-contact sensor equipped, the unit has ultra-long operation life. The push button and FNR switches made by world-famous brand have the protection level above IP65 and at least 5 million times of operation life.

无论是手柄上端,还是底座,均采用了坚固、全密封的结构设计,使得产品在恶劣的环境下仍具有优秀的稳定性和可靠性。产品可以安装在驾驶室内,也在露天环境下使用。

And robust and full-sealing structural design makes the unit maintain excellent stability and reliability even in rugged environments. The unit can be mounted inside or outside the cab.

手柄总高度260mm,上端高度200mm,JS01系列可以匹配最大型设备驾驶室。

With the total height of 260mm and 200mm high handle, JS01 is large enough to match the full-sized heavy duty machines.

JS01系列电控手柄有单轴和双轴两种规格,输出信号模拟量和CAN可选。

The JS01 series of joysticks are available in an X and XY axis configuration and support two electrical output options: Analog and Controller Area Network (CAN).

➤ 产品特点及定制选项 Features and Options

- 大型手柄,适用于大型重型设备;
Full grip size matches the full-sized heavy duty machines.



- 把手的设计适用于左右手操作;
The joystick handle has been designed both for both left & right hand operation.
- 全密封设计,整体防护等级IP65;
Full-sealing structural design, IP65 protection class.
- 单轴、双轴可选;
Single axis and XY axis configuration optional.
- 弹簧复位;
Spring return.
- 输出信号可选:模拟量,CAN J1939,CAN open
- Analog, CAN J1939,CAN open output optional.

➤ **主要技术参数 Technical Specifications**

机械性能 Mechanical characteristics

旋转角度	Mechanical operating angle	X / Y axis: $\pm 13^\circ$
操作力	Operating force	4~11N
使用寿命	Actuation Torque(to start motion)	500 thousand 50 万次

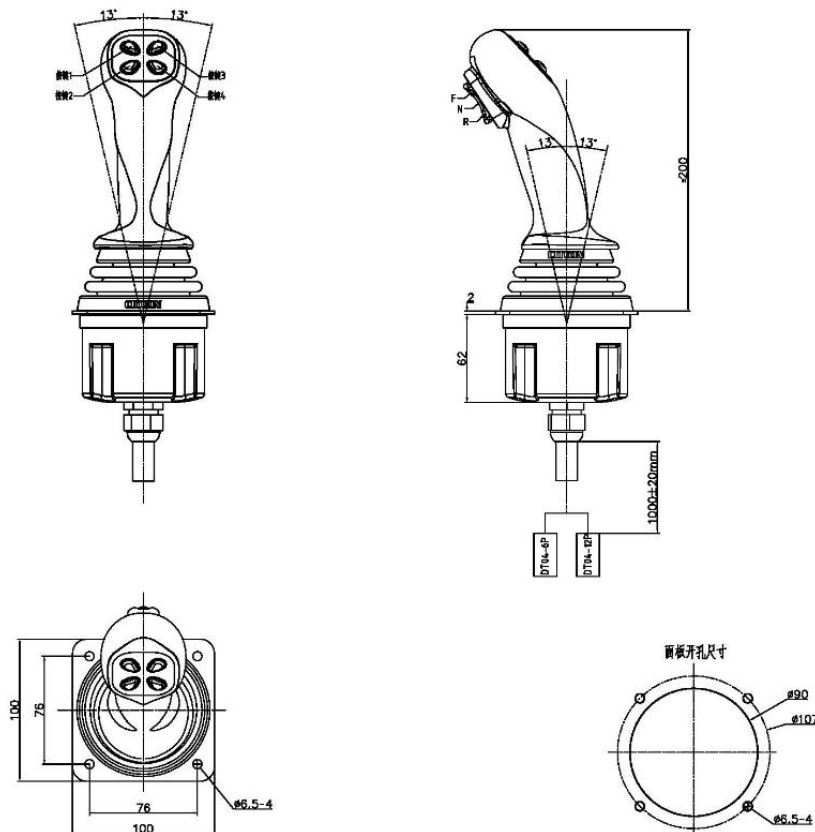
电气参数 Electrical specifications

传感器类型	Sensor type	Hall-effect 霍尔
供电电压	Operating Voltage	$5.0 \pm 10\%$ Vdc,或 9~36 Vdc
电流消耗	Current consumption	17~22mA
线性度	Independent linearity tolerance	$\pm 1.5\%$ FS
输出信号	Effective output	模拟量,CAN J1939,CAN open

环境参数 Environmental specifications

工作温度	Operating temp. range	$-40^\circ\text{C} \sim 85^\circ\text{C}$
储存温度	Storage temp. range	$-40^\circ\text{C} \sim 125^\circ\text{C}$
EMC	EMC	100V/m
ESD	ESD	$\pm 8\text{kV}$ (contact discharge) $\pm 15\text{kV}$ (air discharge)

➤ **外形&安装尺寸 Mechanical Dimensions(mm)**



➤ **编号规则 Product Code Reference**

JS01	XY	0	0	C
底座系列 <i>Base Family Name</i>	轴向 <i>Axis Options</i>	轴向约束 <i>Axial restraint</i>	操作力 <i>Operation Force</i>	信号输出形式 <i>Electronics Type</i>
JS01	XY- Bi-direct.: X and Y axis NY- Uni-direct.: Only Y axis XN- Uni-direct.: Only Y axis	0- Squared 方形限位 1- Cross-shaped 十字限位 2- Slot 一字限位 3- Z-shaped Z字限位 4- T-shaped T形限位 5- H-shaped H形限位	0- Standard spring force 1- Heavy spring force 2- Ultra high spring force 6- Friction Level 1 7- Friction Level 2 8- Friction Level 3	A- analogue C- CAN Bus

J	G001	U	01
信号输出 <i>Output</i>	上端系列 <i>Grip Type</i>	左右手或单手 <i>Left or Right hand or Unidirectional</i>	其它订制信息 <i>Other Customized Details</i>
1- 4-20 mA,dual 5- 0.5-4.5VDC ratiometric,single 6- 0.5-4.5VDC ratiometric,dual J- CAN J1939 O- CAN open	G001 G001B	L- Left hand grip R- Right hand grip U- Unidirectional	

G001上端两种形式two models of G001 grip:



➤ **CAN协议报文CAN Messages**

参照用户手册Refer to user manual.

➤ **应用Applications**

应用于地下铲运机、矿山挖机及矿卡、凿岩台车、钻机等各类矿山和隧道设备。

It is applied to multi-function control of various mining & tunneling equipments such as underground loaders & drilling rigs, mining trucks & excavators, tunneling jumbos and etc.

