

JS79 系列电控手柄 JS79 Series of Joystick

➤ 产品介绍 Product Description

JS79是一款紧凑型单轴手柄。

JS79 is one of our single-axis joysticks with compact size.

非接触式霍尔原理传感器的应用,使产品具有超长的使用寿命。

With Hall-effect, non-contact sensor equipped, the unit has ultra-long operation life.

PCBA完全灌封,整个产品无惧风雨。

With PCBA potted entirely, the entire product is fearless of the harshest environment.

➤ 产品应用 Applications

- 工程机械操控面板
Control panel of off-road equipments



- 工业遥控器
Industrial radio remote control units



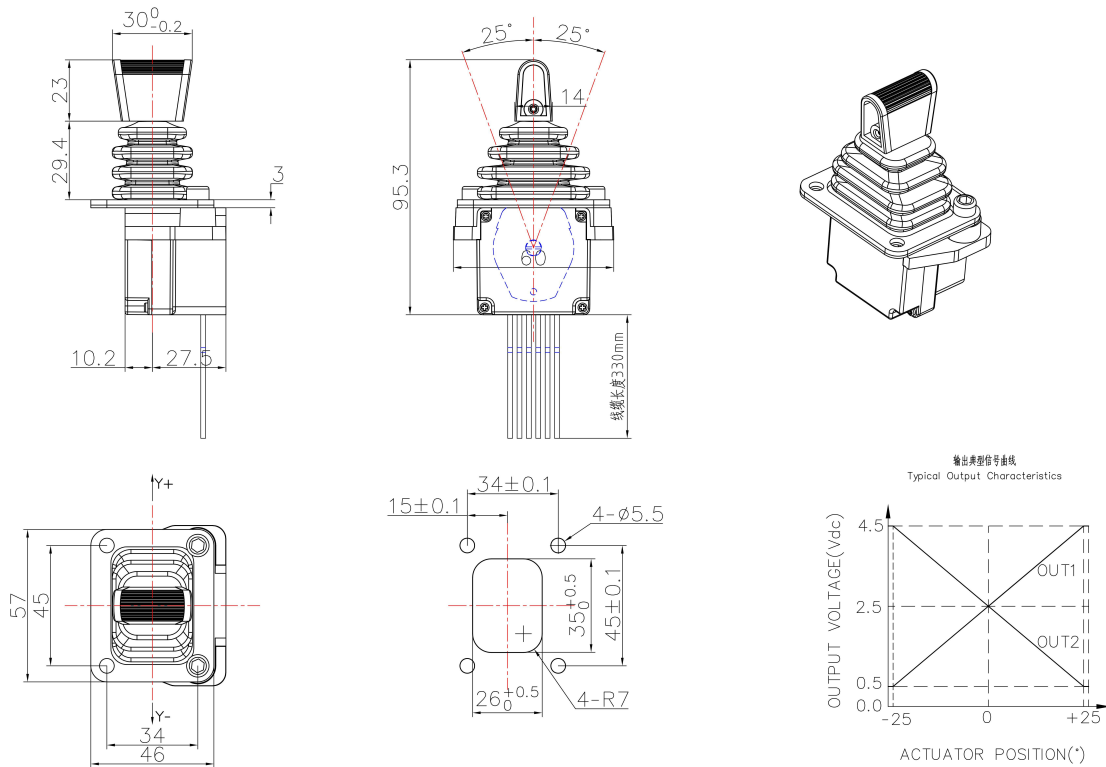
➤ 产品特点 Features

- 单轴手柄;
Single axis.
- 结构紧凑, 便于并排安装;
Compact size, ideal for paralleled arrangement.
- 电路部分IP67, 无惧风雨;
Electronics part IP67, brave the elements.
- 模拟量、PWM, CAN多种信号输出;
Variety of outputs of analog, PWM, and CAN.
- 多种上端可选;
Various knobs optional.
- 性能非常稳定、性价比高;
Extremely stable, cost-effective.

➤ 主要技术参数 Technical Specifications

| 机械性能 Mechanical specifications | | |
|-----------------------------------|-----------------------------|--|
| 旋转角度 | Mechanical operating angle | Y axis: $\pm 25^\circ$ |
| 操作力 | Operating force | 0~1.5N |
| 使用寿命 | Life expectancy | 2 million cycles 200 万次 |
| 重量 | Weight | 100g |
| 电气性能 Electrical specifications | | |
| 传感类型 | Sensor type | Hall-effect 霍尔 |
| 供电电压 | Operating Voltage | 10-30 Vdc, $5\pm 10\%$ Vdc |
| 输出信号 | Effective output | APS, PWM, Dual APS, Dual PWM, APS/IVS, CAN(SAE J1939), CAN open |
| 解析率 | Resolution | 12 bit |
| 精度 | Accuracy | Max 1.0% FS |
| 整体线性度 | Integral Linearity | $\pm 1\%$ |
| 同步度 | Integral Correlation | $\pm 1\%$ |
| 输出迟滞 | delay time of output signal | approx. 3ms |
| 过压保护 | Over-voltage proof | yes |
| 电源反接保护 | Reverse polarity protection | yes |
| 环境测试 Environmental specifications | | |
| 工作温度 | Operating temp. range | $-40^\circ\text{C}\sim 125^\circ\text{C}$ |
| 储存温度 | Storage temp. range | $-40^\circ\text{C}\sim 125^\circ\text{C}$ |
| 防护等级 | IP Class | IP67 |
| 振动测试 | Vibration | 20g |
| 机械冲击 | Mechanical Shock | 50g |
| 电磁兼容性 | EMI | 100V/m |
| 静电 | ESD | $\pm 8\text{kV}$ (contact discharge) $\pm 15\text{kV}$ (air discharge) |

外形&安装尺寸 Mechanical Dimensions(mm)



编号规则 Product Code Reference

| JS79 | LV | 4 | - | F | - | 00 |
|-----------------------------|--------------------------------------|---|---|---|---|---------------------------------------|
| 底座系列 Base Family Name | 供电电压 Supply Voltage | 输出信号 Signal Output | | 摇杆把手类型 Knob Type | | 其它订制信息 Other Customized Details |
| | LV- 5±10% Vdc HV- 10-30 Vdc | 0- 1-5V,Single(HV) 1- 4-20 mA, Single (HV) 2- 1-5V,Dual(HV) 3- 4-20mA, Dual (HV) 4- 0.5-4.5V ratiometric,Dual(LV) 6- 0.5-4.5V ratiometric,Single(LV) 7- 0.5-4.5V,Single(HV) 8- 0.5-4.5V,Dual(HV) | | F- flat shaped knob R- round shaped knob | | |

9- 0-5V,Single(HV)

O- CAN open

J- CAN J1939