

## FNR01 翘板开关 FNR01 Rocker Switch

### ➤ 产品介绍 Product Description

FNR01 是一款 ON-ON-ON 翘板开关, 非常适合用作前进-空档-倒档 (FNR) 开关。

The FNR01 is an ON-ON-ON rocker switch that is perfect for use as a Forward-Neutral-Reverse (FNR) switch.

FNR01 的安装尺寸同标准翘板开关。安装方式为卡扣式, 可以方便的从面板上部安装。FNR01 有两种形状和尺寸的翘板帽可供选择。

The FNR01 has the same panel cutting size with standard rocker switches and snap-in mounting feature makes it can be easily installed from the top of the panel. FNR01 consists of two rocker button style/size for options.

FNR01是手柄和操控台的理想选择。

FNR01 is the ideal choice for use in grips and panels.



### ➤ 产品特点 Features

- ON-ON-ON开关  
ON-ON-ON switch
- 三位保持  
3 positions maintained action.
- 触点密封等级IP67  
Switch contacts sealed to IP67
- 翘板帽图标可定制  
Legends on rocker are completely customizable

### ➤ 主要技术参数 Technical Specifications

#### 机械性能 Mechanical specifications

功能	Functions	ON ON ON
扭力(弹簧复位)	Spring return force	2~5N
端子/引脚	Termination	端子 Solder; 飞线 Flying leads, 24AWG
机械寿命	Mechanical life	1 million cycles 100 万次
重量	Weight	12~14g

#### 电气性能 Electrical specifications

电气规格	Electrical rating	Resistive load, 250 VAC, 5 A; 15-30 VDC, 5A
电气寿命	Electrical life	15-30VDC, 5A, 50,000 cycles

#### 环境特性 Environmental specifications

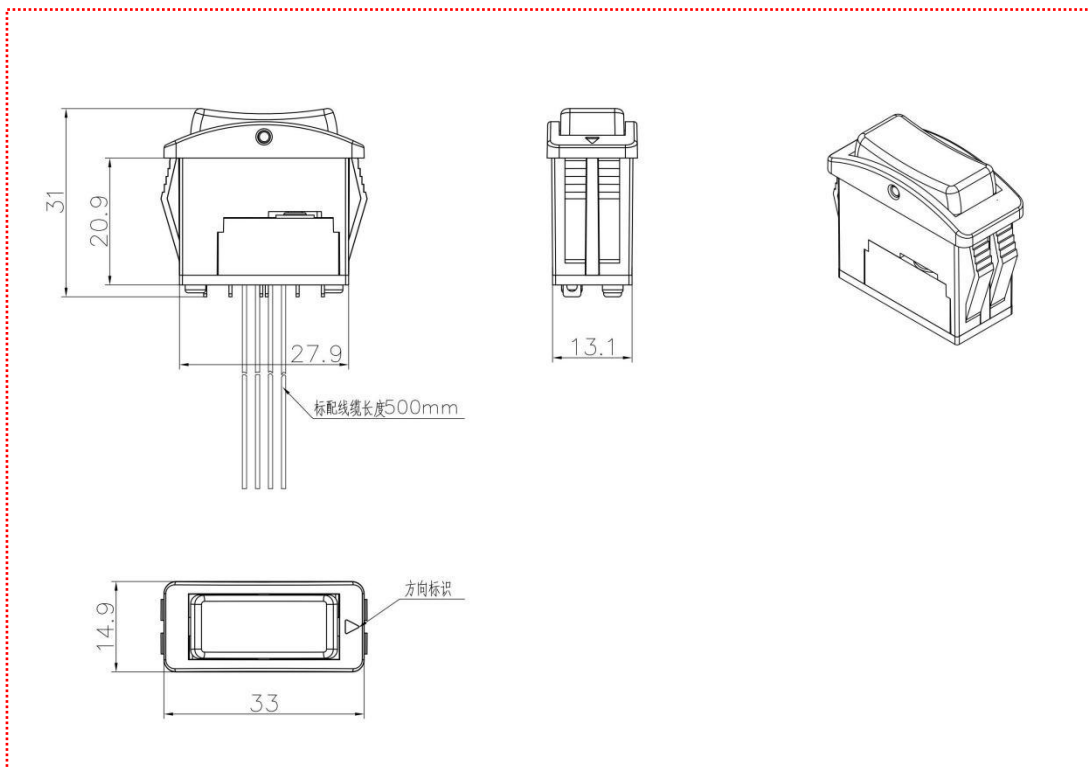
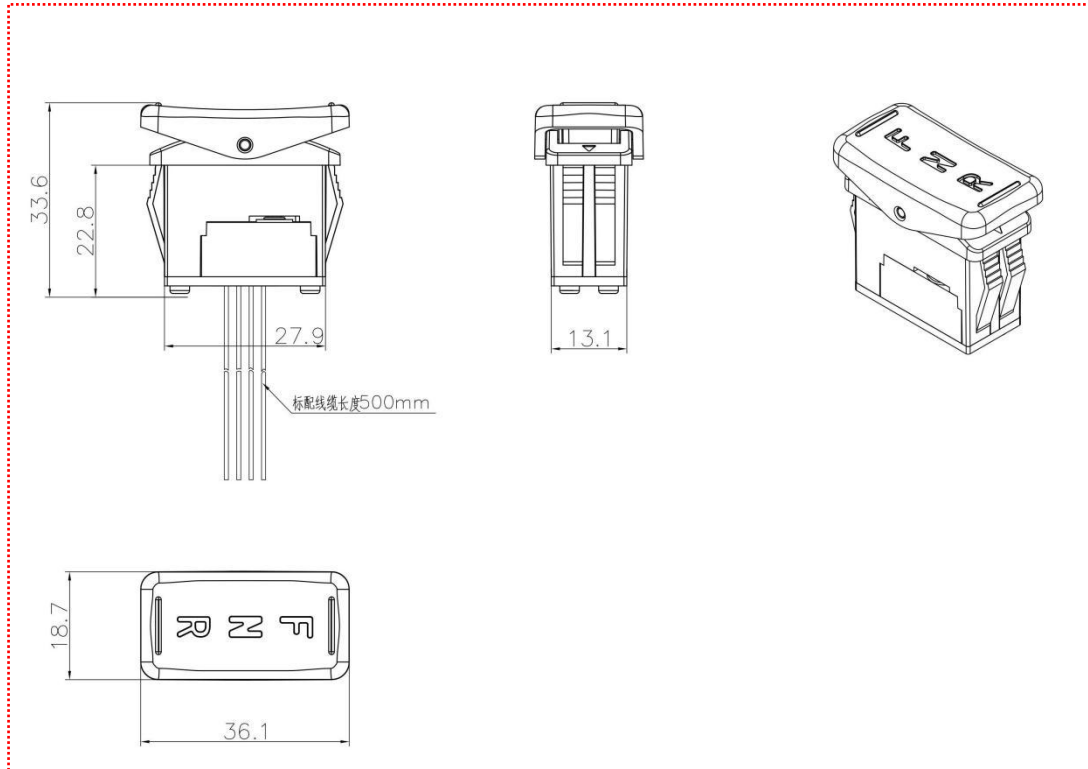
工作温度	Operating temp. range	-40°C~85°C
------	-----------------------	------------

防护等级  
认证

IP Class  
Certificates

触点腔 contact chamber IP67  
UL, CSA and ENEC approval

➤ **外形&安装尺寸 Mechanical Dimensions(mm)**



➤ 编号规则 **Product Code Reference**

---

<b>FNR01</b>	-	<b>A</b>
产品系列		翘板类型/颜色
<i>Product Family Name</i>		<i>Rocker Color/Style</i>
FNR01		A- Red Rocker 红色翘板帽 B- Black Rocker 黑色翘板帽 K- Large Yellow Rocker with FNR Legend 黄色大翘板帽,FNR 字符