

HTW01 系列指拨轮 HTW01 Series of Thumbwheel

➤ 产品介绍 Product Description

HTW01是一款结构紧凑、功能丰富的单轴指拨轮。
HTW01 is a single-axis thumbwheel with compact size, ease installation feature and multiple functions.

HTW01的安装尺寸与常规的翘板开关尺寸接近,面板开口尺寸为34mmx17mm,面板下深度为24.1mm;安装方式为卡扣式,可以方便的从面板上部安装。

The HTW01 thumbwheel has a panel cutting size of 34mmx17mm and the depth behind panel only 24.1mm which is similar with a traditional rocker switch. And snap-in mounting feature makes it can be easily installed from the top of the panel.

HTW01具有三种功能:弹簧复位,包括复中位和复两端位的任何一个;摩擦定位;三档位。

The HTW01 has three versions of functions:
Spring return to centre, and also return-to-ends, friction hold and 3 positions detent.

➤ 产品应用 Applications

HTW01适用于重型车辆和工业车辆的手柄、扶手箱和操控台。

HTW01 is ideal for use in grip, armrest and panel applications for heavy equipment and industrial vehicles.



➤ 产品特点 Features

- 霍尔传感器
Hall effect sensors
- 标配双路模拟量输出
Dual analog outputs as standard
- 电路防护等级为IP68
The electronics are sealed to IP68.
- 300万次使用寿命
3 million cycles operation rotational life

➤ 主要技术参数 Technical Specifications

机械性能 Mechanical specifications

功能	Functions	弹簧复位(中位和两端) Spring return-to-centre, and return-to-ends 摩擦定位 friction hold 三档位 3 positions detent
旋转角度	Mechanical operating angle	±42°
扭力(弹簧复位)	Spring return force	1~5N
出线	Termination	飞线 Flying leads,24AWG
使用寿命	Life expectancy	弹簧复位, 300 万次; 摩擦定位, 50 万次; 档位, 50 万次
重量	Weight	23g

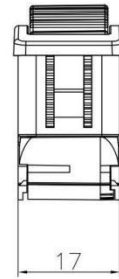
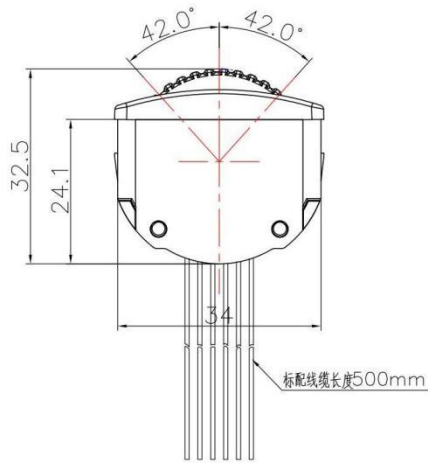
电气性能 Electrical specifications

传感类型	Sensor type	Hall-effect 霍尔
供电电压	Operating Voltage	5±10% Vdc
输出信号	Effective output	典型 Typical 0.5-4.5V,4.5-0.5V
中位精度:	Accuracy	1%
满量程精度:	Accuracy	2%

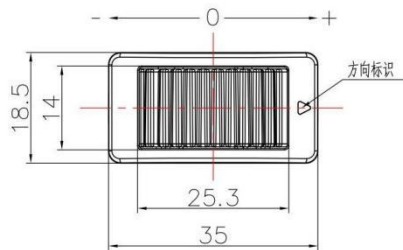
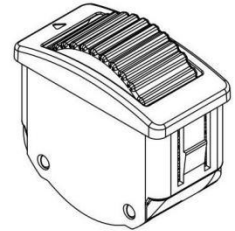
环境特性 Environmental specifications

工作温度	Operating temp. range	-40°C~85°C
储存温度	Storage temp. range	-40°C~85°C
防护等级	IP Class	electronics IP68
振动测试	Vibration	20g
机械冲击	Mechanical Shock	50g
电磁兼容性	EMI	100V/m
静电	ESD	±8kV (contact discharge) ±15kV (air discharge)

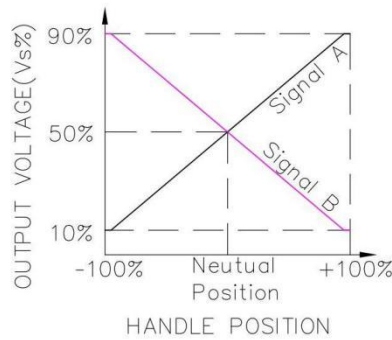
外形&安装尺寸 Mechanical Dimensions(mm)



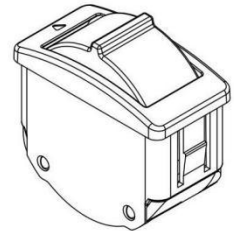
Knurled Wheel



Typical Output Diagram



Paddle Wheel



编号规则 Product Code Reference

HTW01	-	AC	1	3	-	00
产品系列		功能	滚轮帽类型	输出信号		其它定制信息
Product Family Name		Functions	Wheel Cap Style	Signal Output		Other Customized Details--Cable length, connectors etc 线缆长度、连接器等
HTW01		AC- Spring return to centre	1- Knurled Wheel	1- 0.5-4.5,0.5-4.5		00- flying lead,500mm
		AL- Spring return to terminal	2- Paddle Wheel	2- 4.5-0.5,4.5-0.5		
		AR- Spring return to the starting		3- 0.5-4.5,4.5-0.5		
		B- Friction hold		4- 4.5-0.5,0.5-4.5		
		C- Detent 3 positions				