

**G016 手柄上端  
G016 Joystick Grip****➤ 产品介绍 Product Description**

G016是又一款符合人体工程学的经典手柄上端。上端整体二次包胶，便于机手舒服抓握。

G016 is another classic ergonomic joystick grip. Thermoplastic elastomer finished surface provides the operator with improved tactile feel

按钮开关、指拨轮、FNR开关类型和排布的丰富配置，满足土方机械的常规操作。

Multiple configurations of push button, thumbwheel and FNR switches etc. components layout make G016 suitable for conventional operation of earthmoving machinery.

G016与JS04配对，为频繁操作且工况恶劣的挖机等移动设备的操控提供理想方案。

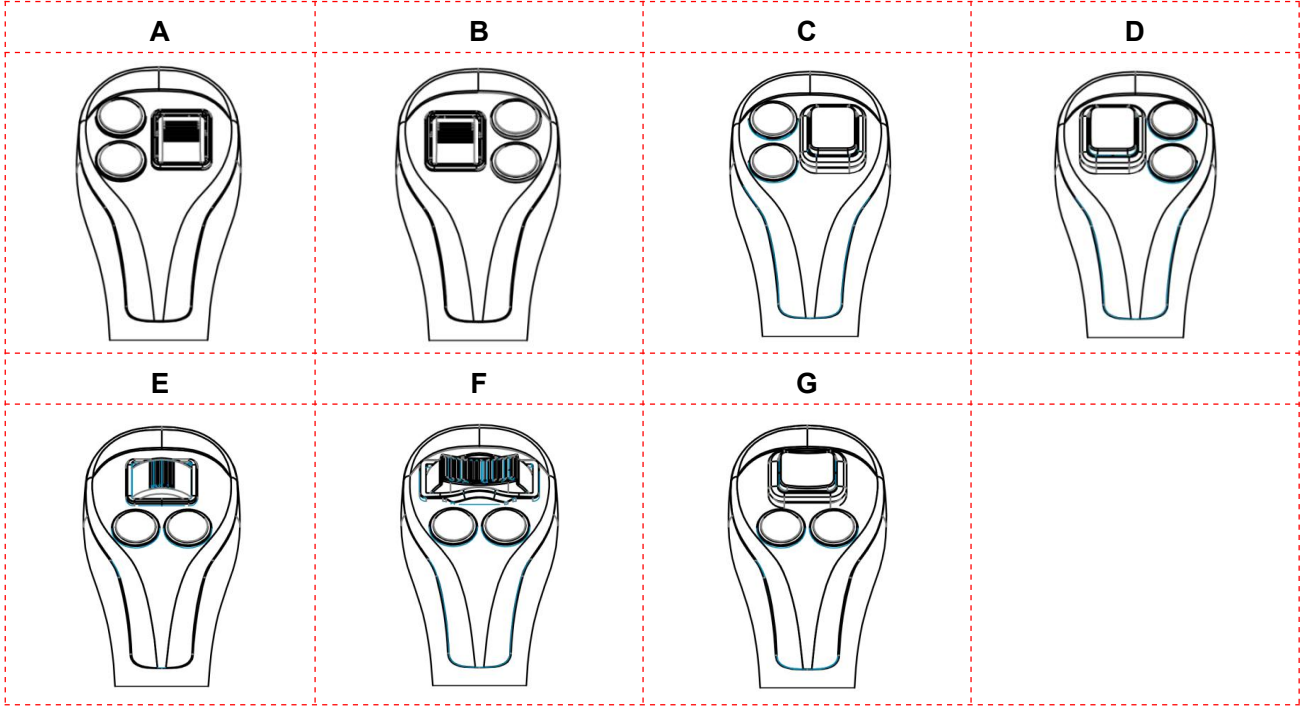
Mating with JS04 base, G016 grip provides an ideal solution for excavators and other mobile equipments need frequent operation and works in harsh environment.

**➤ 产品特点 Product Features**

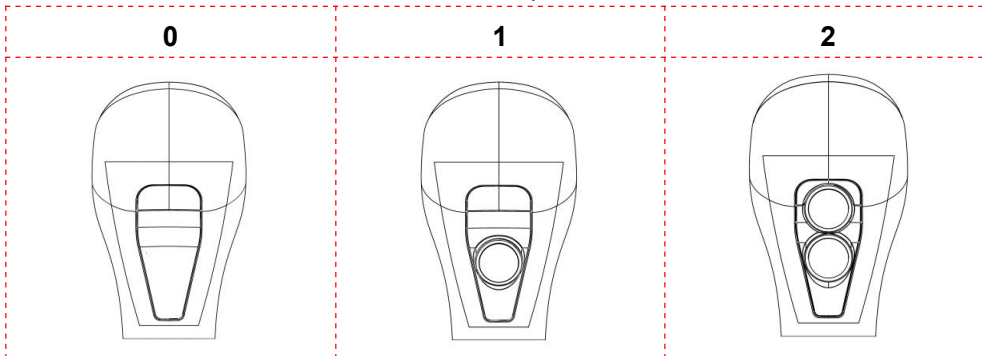
- 配件类型和排布丰富多样  
Multiple configurations of components types & layout
- 机械触点的按钮和FNR开关的电气规格均为1A@24VDC  
Dry contact type push button and FNR switches are rated 1A@24VDC
- 密封等级IP65  
Protection level up to IP65
- 左右手操作  
Left & right hand operation

➤ **面板及背板配置 Configurations of face plate and backside plate**


面板 Faceplate

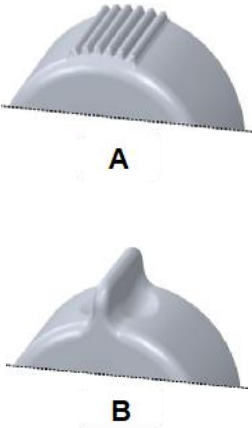


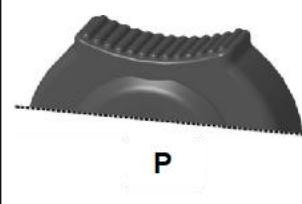
背板 Backplate




➤ **配件规格参数 Accessories specifications**

名称 Name	图片 PIC	指标 Index	数据 Data
PBS02 Push Button Switch 按钮开关		Work principle 工作原理	Contacts,silver 触点,银
		Action 动作	Momentary 复位
		Total travel 行程	2.5 mm
		Functions 功能	NO/NC changeover
		Electrical rating (resistive) 电气规格(阻性负载)	0.1A,125VAC 1A,125/250VAC 3A,125VAC
		Mechanical life 机械寿命	1 million cycles100 万次
		Electrical life 电气寿命	0.1A - Min. 1,000,000 operations Other ratings - Min. 10,000 operations
		Operating force 操作力	50N
		Ingres protection 防护等级	IP67
		Operating temperature 工作温度	-40~85°C
		Cable 线缆	0.5mm <sup>2</sup> (20AWG)
		Button graphical symbols 按钮帽图标符号	Customizable 可定制
		Button colors 按钮帽颜色	standard black and gray, other colors customizable 标配黑色、 灰色；其它颜色可定制

名称 Name	图片 PIC	指标 Index	数据 Data
HTW05 Thumbwheel 指拨轮		Work principle 工作原理	HALL effect 霍尔
		Axis 轴	single axis 单轴
		Action 动作	Spring return to neutral 弹簧 复中位
		Working angle 工作角度	Cap shape A, B,±25° Cap shape P,±23°
		Operation Voltage 工作电压	5±10% Vdc
		Output 输出	Analog, 0.7-2.5-4.3Vdc standard; PWM, 5%-50%-95% standard
		Signal precision 信号精度	Analog, 50mV,1% FS; PWM, ±5%
Operation life 使用寿命	2 million cycles		

	Operating temperature 工作温度	-40~85°C
	Ingres protection 防护等级	IP65
	Vabrition 振动测试	20g
	Mechanical Shock 机械冲击	50g
	EMI 电磁兼容性	100V/m
	ESD 静电	±8kV (contact discharge) ±15kV (air discharge)

名称 Name	图片 PIC	指标 Index	数据 Data
<b>FNR02 Rocker Switch 翘板开关</b>		Work principle 工作原理	Contacts,silver 触点,银
		Action 动作	three positions,maintained or momentary action 三位保持或复位
		Functions 功能	ON ON ON ON OFF ON (ON) OFF (ON) (ON) OFF ON
		Electrical rating (resistive) 电气规格(阻性负载)	0.1A,125VAC 1A,125/250VAC 3A,125VAC
		Mechanical life 机械寿命	1 million cycles for maintained type; 2 million cycles for momentary type 三位保持型,100 万次; 复位型,200 万次
		Electrical life 电气寿命	0.1A - Min. 1,000,000 operations Other ratings - Min. 10,000 operations
		Operating force 操作力	50N
		Ingres protection 防护等级	IP65
		Operating temperature 工作温度	-40~85°C
		Cable 线缆	0.5mm <sup>2</sup> (20AWG)
		Rocker colors 翘板颜色	standard black and gray, other colors customizable 标配黑色、灰色; 其它颜色可定制

➤ **编号规则Product Code Reference**

G016	A	2	00
产品系列 <i>Product Family Name</i>	面板形式 <i>Face Plate Model</i>	背板形式 <i>Back Plate Model</i>	其它定制 <i>customized details on cable length etc.</i>
G016	A-G	0- w/o push button switch 1- with 1 push button swich 2- with 2 push button swich	00- 01-