

JFT03 系列拇指摇杆

JFT03 Series of Fingertip Joysticks



➤ 产品介绍 Product Description

JFT03 拇指摇杆为重型机械和非道路车辆提供了比例控制的理想的解决方案。

JFT03 Fingertip Joystick provides an ideal proportional function solution for heavy duty industrial and off-road machinery.

紧凑的结构, 便于被安装在移动车辆的扶手箱、操控台。或者无线遥控器上。

Due to its compact design, the fingertip joystick is ideal for use in dashboards or armrest of mobile vehicles. Or, on the remote control units.

摇杆颜色的丰富选择使操作员能够直观地识别和记忆功能。

The large selection of actuator colours enables the operator to visually identify and remember the functions.

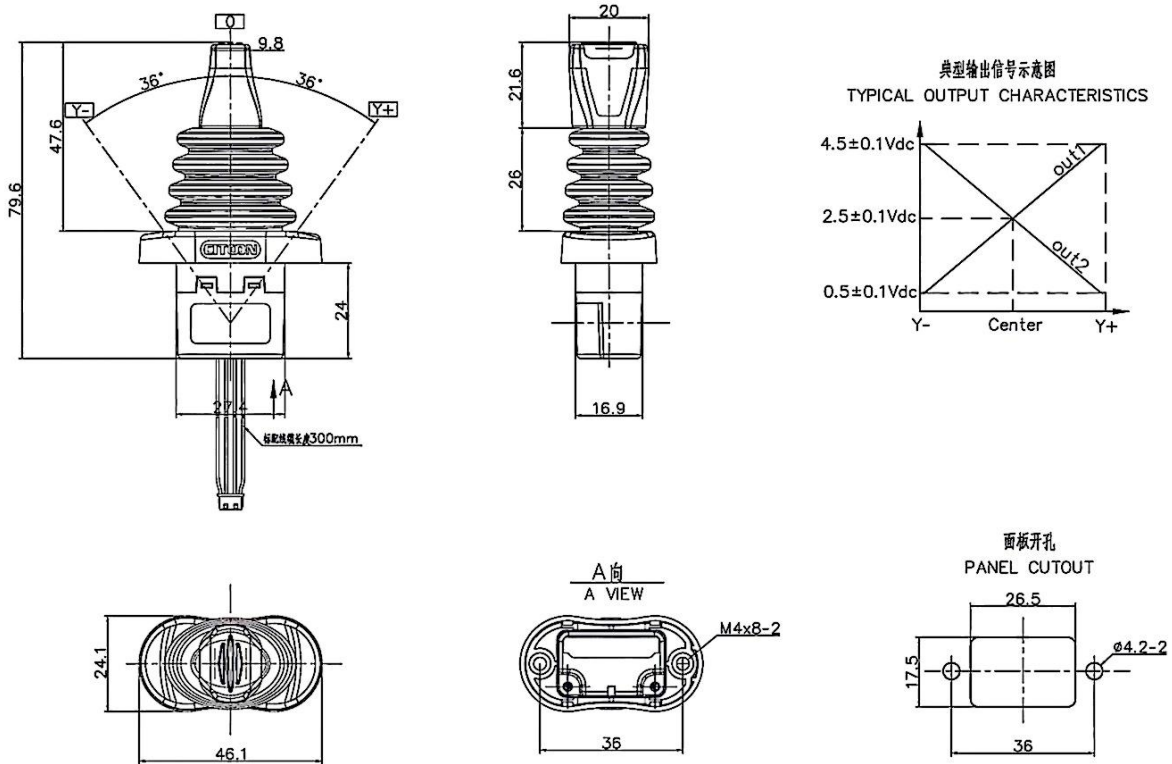
➤ 产品特点 Features

- 单轴操作
Single axis Actuation
- 非接触式霍尔传感
Contactless Hall Effect sensing
- 丰富的功能
Multiple functions
- 丰富的颜色
Multiple colours
- TPE 软质摇杆帽
TPE soft touch sections of the actuator cap
- 电路部分灌封
Potted electronics

➤ 主要技术参数 Technical Specifications

机械性能 Mechanical specifications		
功能	Functions	弹簧复中 Spring return-to-centre
偏转角度	Deflection Angle	Y axis: $\pm 35^\circ$
使用寿命	Operation Life	5 million cycles
重量	Weight	50g
颜色定制	Color Customization	YES
电气性能 Electrical specifications		
电气原理	Sensor Type	Hall-effect 霍尔
供电电压	Supply Voltage	5 \pm 10%V DC or 8-32V DC
输出信号	Output	Analog,PWM
解析率	Resolution	12 bit (0.025% of measurement range)
精度	Accuracy	Max 2.0% FS
开关点位	Switching Points	YES
环境测试 Environmental specifications		
工作温度	Operating temp. range	-40°C~85°C
储存温度	Storage temp. range	-40°C~85°C
防护等级	Ingress Protection (IP) rating	安装法兰面以上 IP67 电路部分 IP67 Sealing above the flange IP67 Electronics IP67
EMC	EMC	100V/m
ESD	ESD	± 8 kV (contact discharge) ± 15 kV (air discharge)

➤ **外形&安装尺寸 Dimensions(mm)**



➤ **颜色 Color:**



➤ **编号规则 Product Code Reference**

JFT03	-	0	-	LV
产品类别 Product Family Name		颜色 Colors*		供电电压 Supply Voltage
JFT03		0- Black 黑色 1- Blue 蓝色 2- Orange 橙色		LV- 5±10% V dc HV- 12/24V dc

3- Yellow 黄色

4- Green 绿色

5- Gray 灰色

6- Red 红色

**other colors customizable*

33	05	00
输出信号 <i>Signal Output</i>	开关点位 <i>Swicthing points*</i>	出线/连接器 <i>Connection</i>
01- 0.25~4.75V dc	00- No Switches	00 - 300mm Loose Cable (AWG 24)
02- 4.75~0.25V dc	05- ±5 Degrees	01 - Molex Micro-Fit Connector 300mm Cable
03- 0.5~4.5V dc	15- ±15 Degrees	02- DTM06-4S Connector 300mm Cable
04- 4.5~0.5V dc	30- ±30 Degrees	03 - AMP Superseal 282105-1 Connector 50mm Cable
16- 1-5V		
17- 3-5V		
31- 0.25~4.75V dc,0.25~4.75V dc		
32- 4.75~0.25V dc,4.75~0.25V dc		
33- 0.5~4.5V dc, 0.5~4.5V dc		
34- 4.5~0.5V dc,4.5~0.5V dc		
46- 0.25~4.75V dc,4.75~0.25V dc		
47- 4.75~0.25V dc,0.25~4.75V dc		
48- 0.5~4.5V dc, 4.5~0.5V dc		
49- 4.5~0.5V dc,0.5~4.5V dc		
61- PWM 5~95%,500HZ		
62- PWM 95~5%,500HZ		
63- PWM 10~90%,500HZ		
64- PWM 90~10%,500HZ		

**the angle of 1 or 2 swicthing points is customizable*