

JS26 系列电控手柄

JS26 Series of Joystick

➤ 产品特点 Product Features

- 双轴，弹簧复中位
Dual-axis, spring rerun
- 结构紧凑
Compact size
- 全冗余电路--双轴独立传感器，供电、信号独立输出
Fully redundant circuit - independent sensor for X and Y axis, which achieves independent power supply and signal output
- PCBA完全灌封，整个产品无惧风雨。
With PCBA potted entirely, the entire product is fearless of the harshest environment



➤ 产品应用 Applications

移动车辆的扶手箱、操控台，或者无线遥控器上。
Dashboards or armrest of mobile vehicles. Or, on the remote control units.

➤ 主要技术参数 Technical Specifications

机械性能 Mechanical specifications

旋转角度	Mechanical operating angle	X / Y axis: $\pm 20^\circ$
操作力	Operating force	3~10N
使用寿命	Life expectancy	2 million cycle 200 万次
重量	Weight	150g

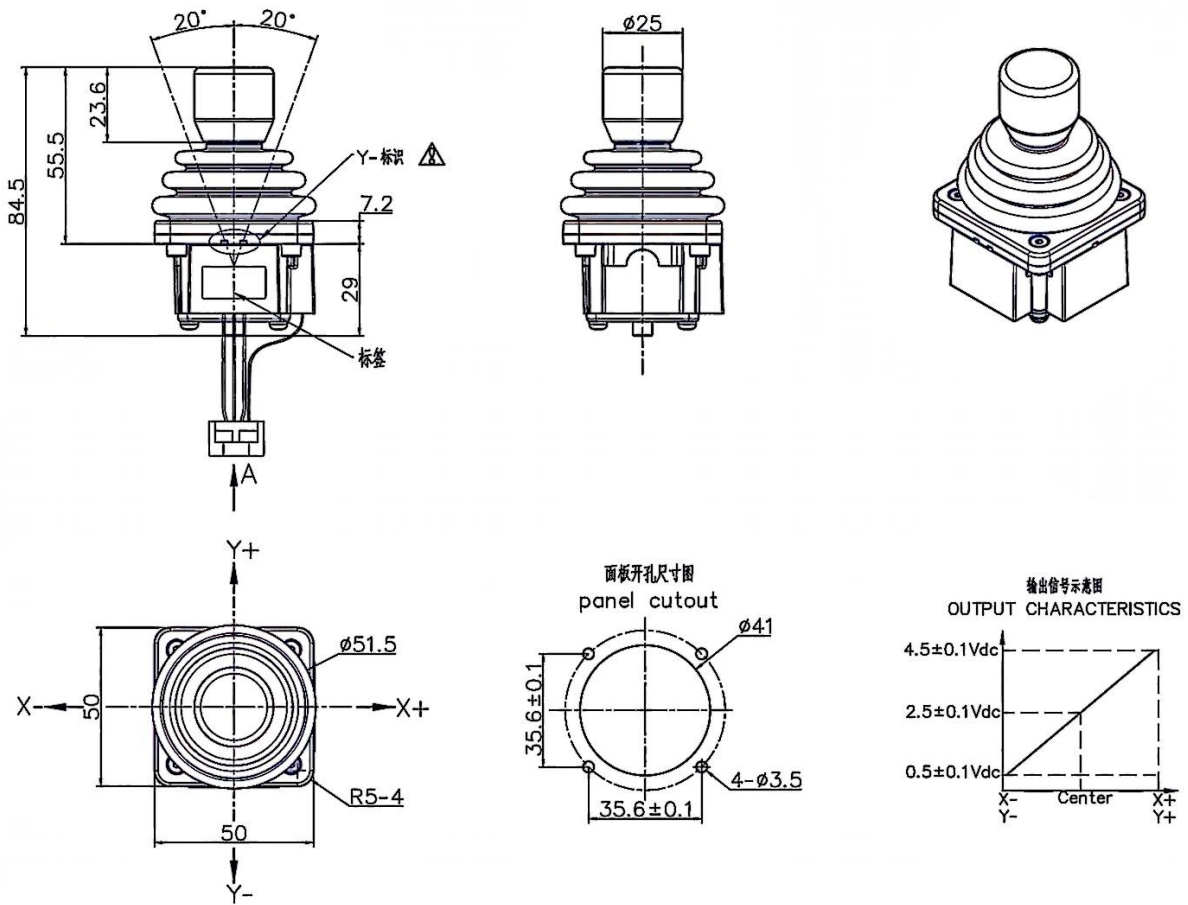
电气性能 Electrical specifications

传感类型	Sensor type	Hall-effect 霍尔
供电电压	Applied voltage	$5 \pm 10\%$ Vdc or 10-32 VDC
输出信号	Effective output	Typical 0.5-4.5V radiometric

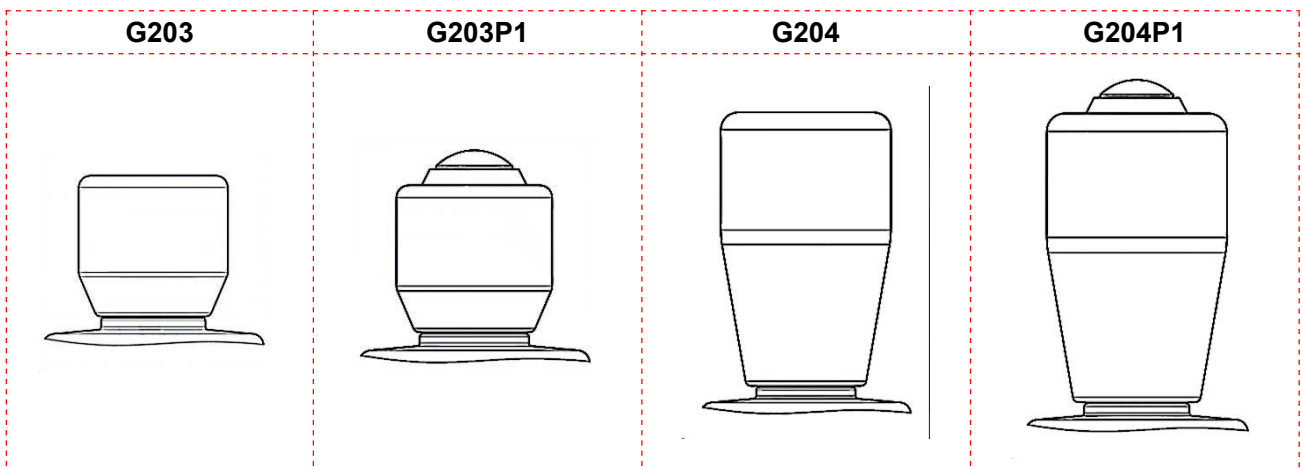
环境测试 Environmental practices

工作温度	Operating temp. range	$-40^\circ\text{C} \sim 85^\circ\text{C}$
储存温度	Storage temp. range	$-40^\circ\text{C} \sim 85^\circ\text{C}$
防护等级	IP Class	IP67 for electronics
振动测试	Vabrition test	20g
机械冲击	Mechanical Shock	50g
电磁兼容性	EMI	100V/m
测试(静电)	ESD	$\pm 8\text{kV}$ (contact discharge) $\pm 15\text{kV}$ (air discharge)

➤ 外形&安装尺寸 Mechanical Dimensions(mm)



➤ 匹配上端 Compatible Grips



➤ **编号规则Product Code Reference**

JS26	XY	0	0
底座系列	轴向	轴向约束	操作力
Base Family Name	Axis Options	Axial restraint	Operation Force
JS26	XY- Bi-direct.: X and Y axis	0- open gate 万向	0- Standard spring force
	NY- Uni-direct.: Only Y axis	1- Cross gate 十字限位	1- Heavy spring force
	XN- Uni-direct.: Only X axis	2- Slot gate 一字限位	2- Ultra high spring force
		3- Z-shaped Z 字限位	
		4- T-shaped T 形限位	
		5- H-shaped H 形限位	

33	G203	00
输出信号	上端帽	其它订制信息
Signal Output	Knob type	Other Customized Details
01- 0.25~4.75V dc	G203	
02- 4.75~0.25V dc	G203P1	
03- 0.5~4.5V dc	G204	
04- 4.5~0.5V dc	G204P1	
16- 1-5V		
17- 3-5V		
31- 0.25~4.75V dc,0.25~4.75V dc		
32- 4.75~0.25V dc,4.75~0.25V dc		
33- 0.5~4.5V dc, 0.5~4.5V dc		
34- 4.5~0.5V dc,4.5~0.5V dc		
46- 0.25~4.75V dc,4.75~0.25V dc		
47- 4.75~0.25V dc,0.25~4.75V dc		
48- 0.5~4.5V dc, 4.5~0.5V dc		
49- 4.5~0.5V dc,0.5~4.5V dc		
61- PWM 5~95%,500HZ		
62- PWM 95~5%,500HZ		
63- PWM 10~90%,500HZ		
64- PWM 90~10%,500HZ		